

# SUSE<sup>®</sup> Linux Enterprise Server

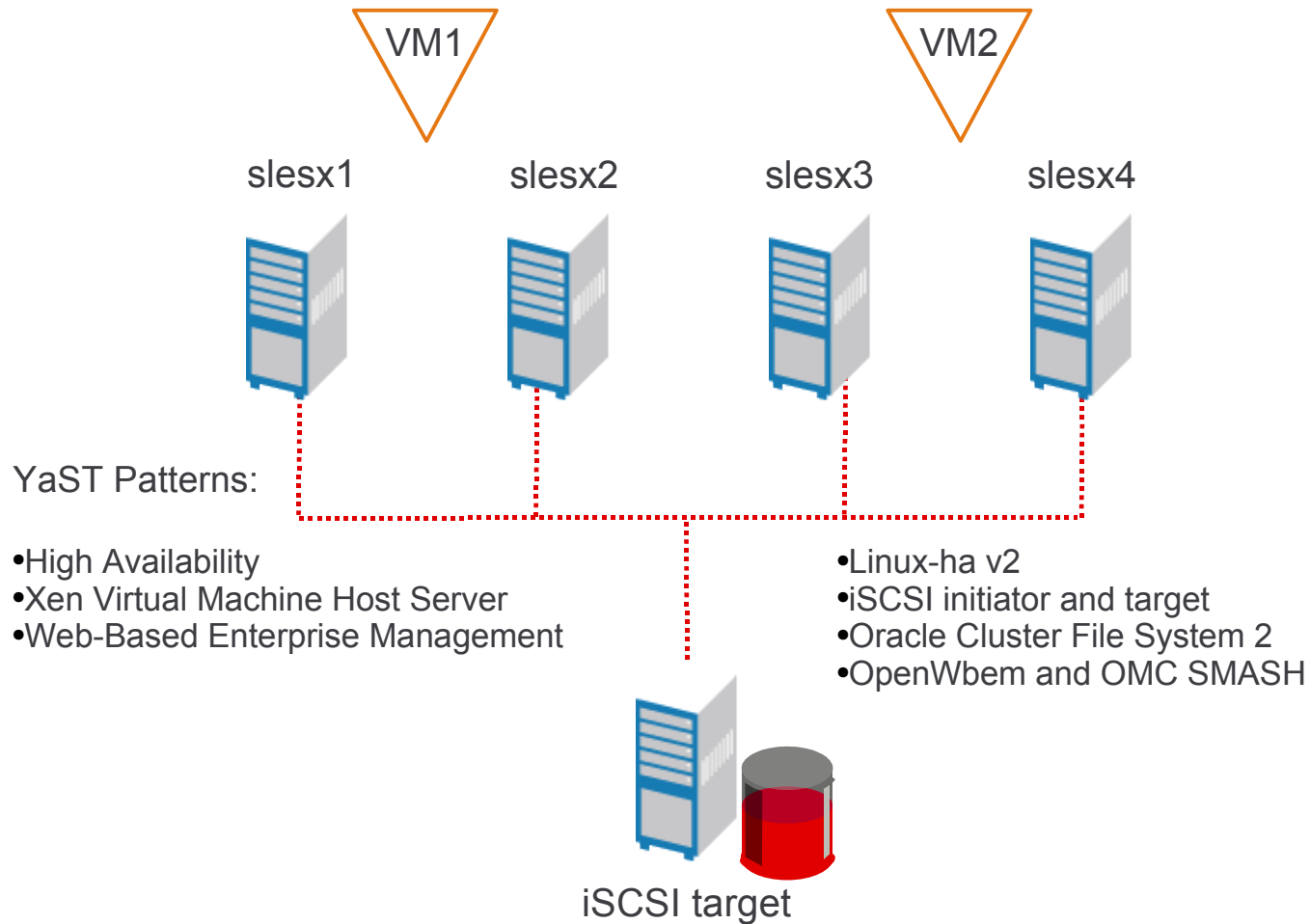
High Availability Storage Foundation (HASF)

September 8, 2006

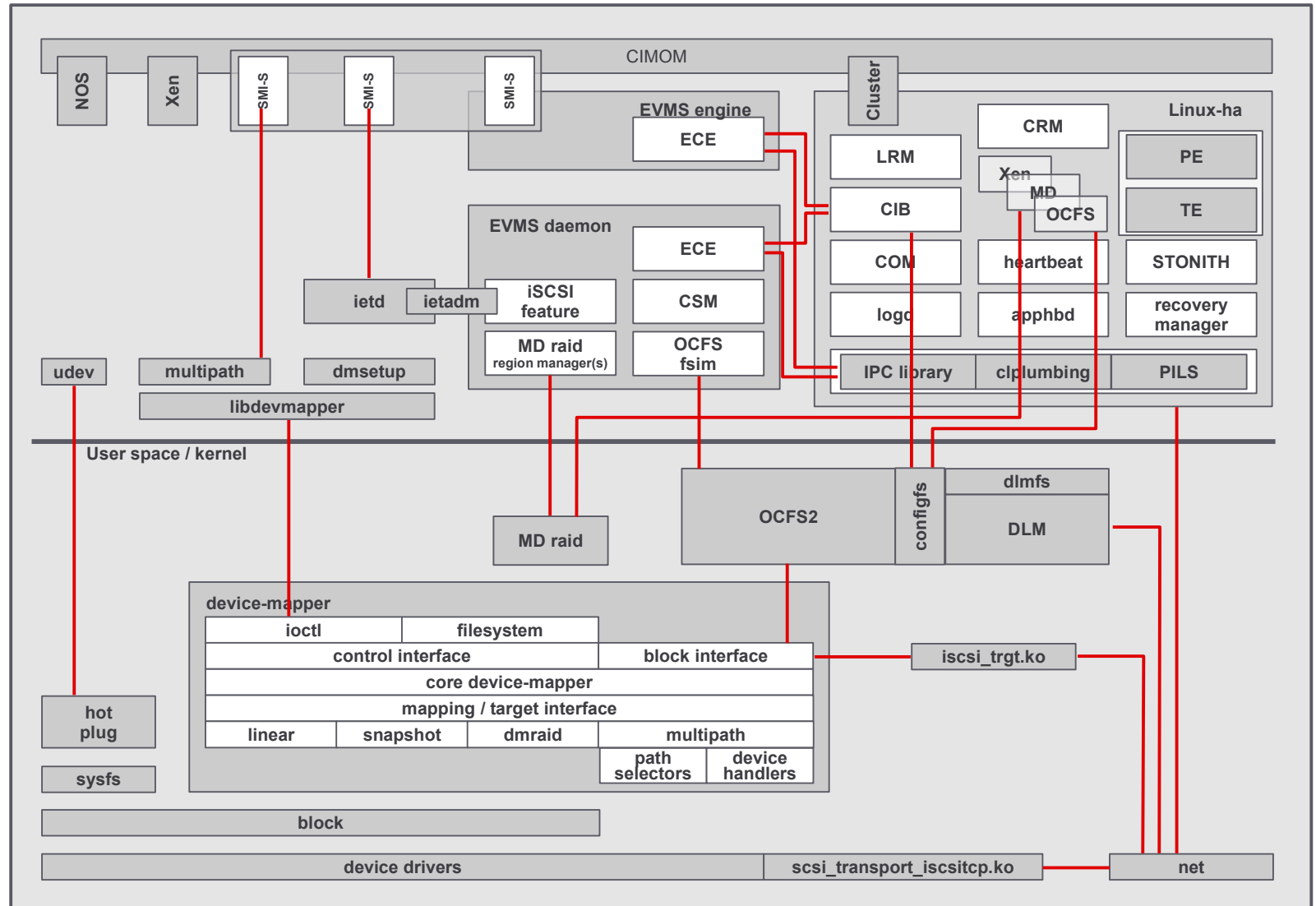


**Novell<sup>®</sup>**

# HASF Demo Setup



# HA Storage Foundation



Linux HA Management Client

Connection Resources Nodes

Name	Status
linux-ha	with quorum
Nodes	
slesx1	running(dc)
slesx4	running
slesx3	running
slesxvm2	running on [slesx3]
ocfs2clone:2	running on [slesx3]
stonithclone:2	running on [slesx3]
xconfclone:2	running on [slesx3]
slesxvm1	running on [slesx3]
slesx2	running
Resources	
stonithcloneset	clone
xconfcloneset	clone
ocfs2cloneset	clone
clusterip	running on [slesx1]
slesxvm1	running on [slesx3]
slesxvm2	running on [slesx3]
Constraints	

Current Running on [slesx3]

Attributes Parameters Operations

Name	Value
target_role	started
xmfile	/etc/xen/vm/vm1

Add Parameter Delete Parameter

Apply Reset

Connected to 192.168.0.21

Ultimate CIM - Eclipse SDK

File Edit Navigate Search Project Run Window Help

CIM Explorer

- HA\_PrimitiveResource
  - Instances
    - HA\_PrimitiveResource
    - HA\_PrimitiveResource
    - HA\_PrimitiveResource
  - Walk associations (using class)
- HA\_ResourceClone
  - Instances
    - HA\_ResourceClone
    - HA\_ResourceClone
    - HA\_ResourceClone
  - Walk associations (using class)
- HA\_ResourceConstraint
- HA\_ResourceGroup
- HA\_RuleOfLocationConstraint
- HA\_SoftwareIdentity
- HA\_SubResource
- OMC\_ComputerSystemHostName

CIM Class Hierarchy

- HA\_PrimitiveResource
  - ResourceClass: string
  - Type: string
  - Provider: string
  - HostingNode: string
- HA\_ClusterResource
  - Id: string
  - CreationClassName: string
  - SystemName: string
  - SystemCreationClassName: string
  - ResourceStatus: string
  - Description: string
  - IsManaged: string
  - OnStopFail: string
  - RestartType: string
  - MultipleActive: string
  - ResourceStickiness: string
  - StartPreRep: string
  - Caption: string
  - Enabled: string

CIM Instance View

HA\_PrimitiveResource

Property Name	Value
Caption	Resource.slesxvm1
CreationClassName	HA_PrimitiveResource
Description	null
Enabled	true
HostingNode	slesx3
Id	slesxvm1
IsManaged	true
MultipleActive	stop_start
OnStopFail	null
Provider	ocf
ResourceClass	Xen
ResourceStatus	running
ResourceStickiness	0
RestartType	ignore
StartPreRep	null
SystemCreationClassName	HA_Cluster
SystemName	LinuxHACluster

**Novell®**

### **Unpublished Work of Novell, Inc. All Rights Reserved.**

This work is an unpublished work and contains confidential, proprietary, and trade secret information of Novell, Inc. Access to this work is restricted to Novell employees who have a need to know to perform tasks within the scope of their assignments. No part of this work may be practiced, performed, copied, distributed, revised, modified, translated, abridged, condensed, expanded, collected, or adapted without the prior written consent of Novell, Inc. Any use or exploitation of this work without authorization could subject the perpetrator to criminal and civil liability.

### **General Disclaimer**

This document is not to be construed as a promise by any participating company to develop, deliver, or market a product. Novell, Inc., makes no representations or warranties with respect to the contents of this document, and specifically disclaims any express or implied warranties of merchantability or fitness for any particular purpose. Further, Novell, Inc., reserves the right to revise this document and to make changes to its content, at any time, without obligation to notify any person or entity of such revisions or changes. All Novell marks referenced in this presentation are trademarks or registered trademarks of Novell, Inc. in the United States and other countries. All third-party trademarks are the property of their respective owners.

